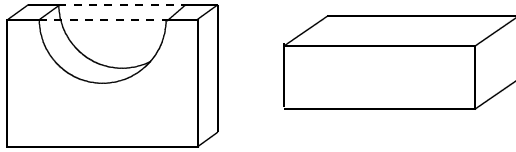
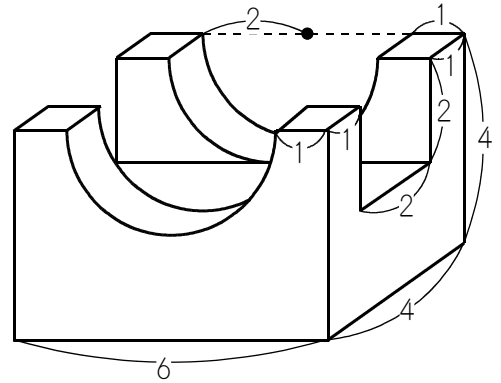


(1) 体積

$$\frac{(4 \times 6 - 2 \times 2 \times 3.14 \div 2) \times 1 \times 2 + 2 \times 2 \times 6}{}$$

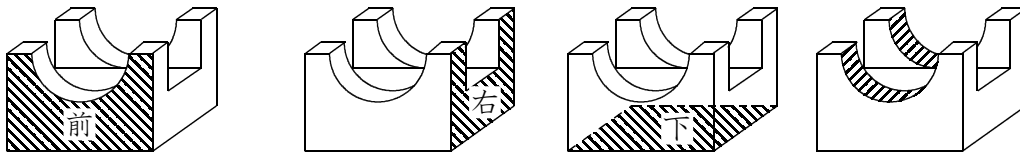


$$\begin{aligned} &= (24 - 6.28) \times 1 \times 2 + 24 \\ &= 35.44 + 24 \\ &= 59.44 \text{ (cm}^3\text{)} \end{aligned}$$

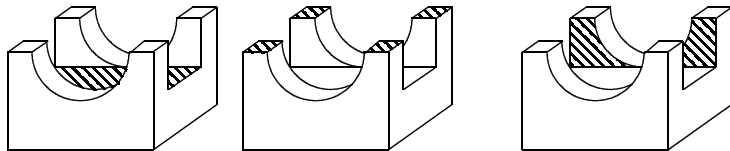


(2) 表面積

$$\frac{(4 \times 6 - 2 \times 2 \times 3.14 \div 2) \times 2 + (4 \times 4 - 2 \times 2) \times 2 + 4 \times 6 + (2 \times 2 \times 3.14 \div 2 \times 1) \times 2}{}$$



$$\begin{aligned} &+ \frac{2 \times 6}{\text{上(オ)}} & + \frac{1 \times 1 \times 4}{\text{上(カ)}} & + \frac{(2 \times 6 - 2 \times 2 \times 3.14 \div 2) \times 2}{\text{内側(キ)}} \end{aligned}$$



$$\begin{aligned} &= 35.44 + 24 + 24 + 12.56 + 12 + 4 + 11.44 \\ &\quad \text{ア イ ウ エ オ カ キ} \end{aligned}$$

$$= 123.44 \text{ (cm}^2\text{)}$$